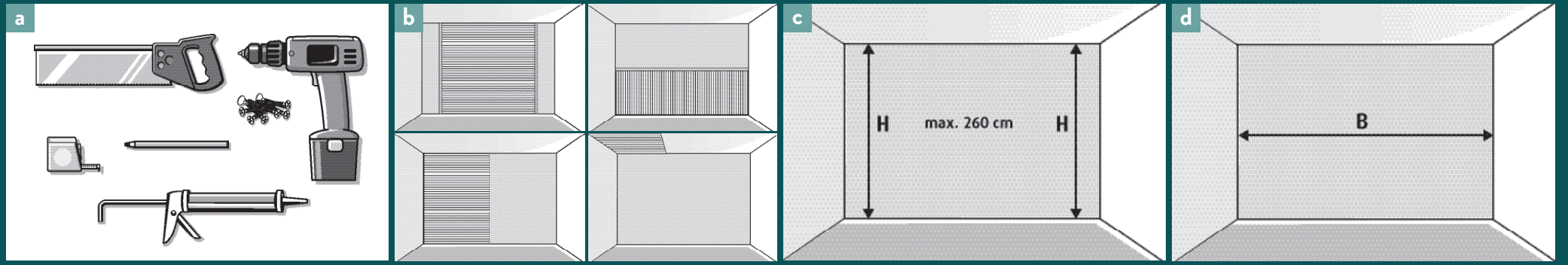
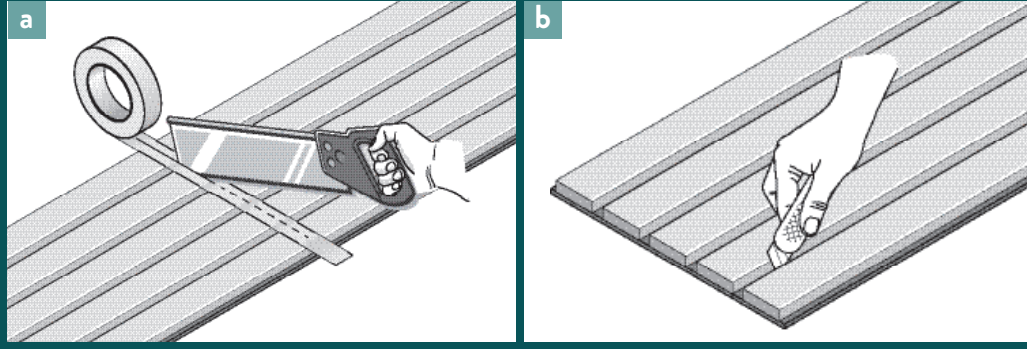


DURAWALL - ASSEMBLY MANUAL

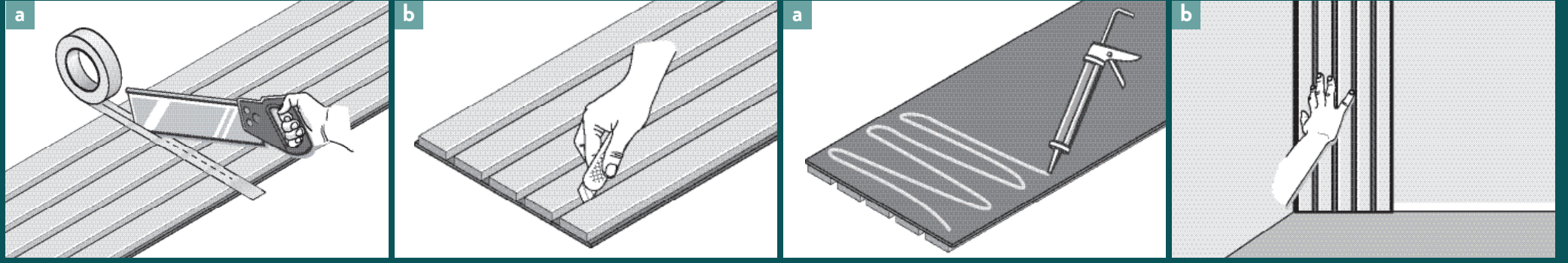
Step 1: Before you start



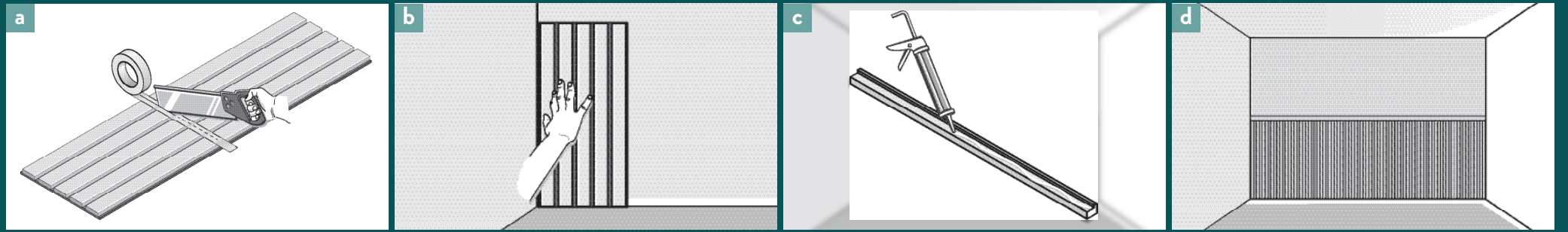
Step 2: Cut panels to size



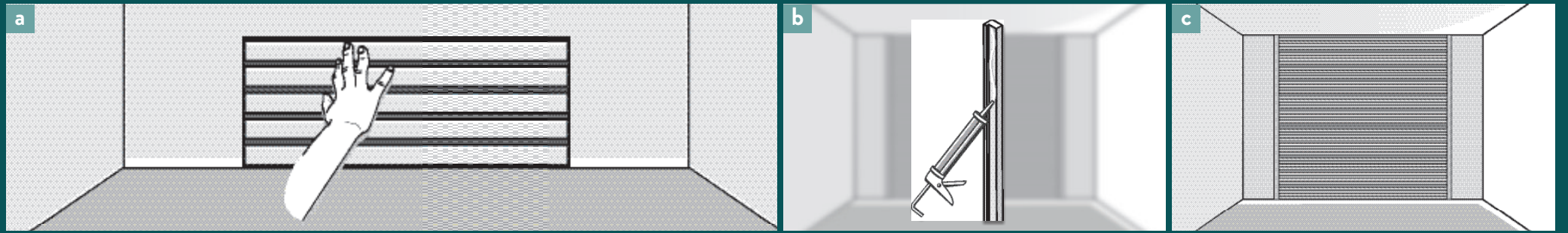
Step 3: Mounting on the wall - vertical



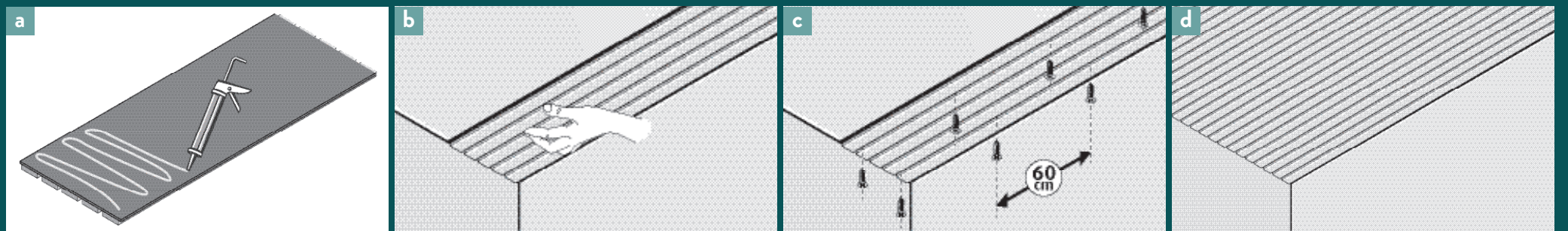
Step 4: Mounting on the wall - wainscoting



Step 5: Mounting on the wall - horizontal



Step 6: Mounting on the ceiling



Step 1 Before you start:

- Grab the tools needed to assemble the panels.
- Decide which way you want to assemble the panels. It is important to mix the packs during installation to catch small colour marks and differences.
- Measure the wall and/or ceiling.
- Determine how many Durawall panels you need. One panel is sufficient for a piece of wall or ceiling 260 cm long and 30 cm wide.

Step 2 Cut panels to size:

- If necessary, cut the panel to the correct width with a fine-toothed handsaw. Tape off the battens first.
- If necessary, cut the width to size by cutting the felt. Cut with a sharp Stanley knife right next to the last batten you want to keep.

Step 3 Mounting on the wall - vertical:

- Using a caulking gun, apply the mounting kit to the backing of the panel. Fixing with glue is also possible.
- Fix the panel in the right place against the wall. Press the panel firmly for a few seconds. Attach any subsequent panels in the same way.

Step 4 Mounting on the wall - wainscoting:

- First saw all panels to the desired height using a fine-toothed handsaw. When doing so, first tape off before sawing.
- Follow the mounting instruction of step 3.
- Optional: finish the panel using the separately available end profile.
- The result of Durawall finished with an end profile.

Step 5 Mounting on the wall - horizontal:

- Follow the mounting instruction of step 3.
- Optional: finish the panel using the separately available end profile.
- The result of Durawall finished with an end profile.

Step 6 Mounting on ceiling:

- Using a caulking gun, dispense the mounting kit onto the backing of the panel.
- Fix the panel in the right place against the ceiling. Press the panel down firmly for a few seconds.
- Secure the panel with screws extra tightly. Use at least 15 screws per panel. The distance between the screws should not exceed 60 cm. Preferably use screws of the same colour as the backing.
- Attach any subsequent panels in the same way.

Guarantee conditions Durawall

Condor Tectex, grants buyers of Durawall a 10-year warranty. The guarantee period starts from the moment of purchase. The various components of the purchased Durawall products must be checked for visible defects before and during processing. The guarantee covers only (hidden) manufacturing defects and recognised defects in the materials used during production of the Durawall products.

